

# JET PROTECTOR

High performance jet launcher

**JPX**



**Non-lethal weapon**

## INSTRUCTION & SAFETY MANUAL

**piexon**

**Caution: Strong skin & eye irritant.**

**Use only for self defense. This product contains 10% Oleoresin Capsicum. Avoid contact with skin and eyes. In case of contact with skin or eyes, flush affected areas with large quantities of cool water. Seek medical attention immediately if irritation or discomfort persists after about 60 minutes. Always keep this product out of the reach of children.**

## SAFETY INSTRUCTIONS AND WARNINGS

---

The Jet Protector JPX is a highly effective non-lethal weapon and may only be used for self defense. Use of this device for any purpose except lawful self defense may be a crime punishable by imprisonment, fines or both. The device launches an agent that is designed to irritate and inflame eyes, respiratory tract and skin, stopping and incapacitating a threat at a safe distance without causing permanent injury. However, safe handling and lawful use of the Jet Protector JPX is your personal responsibility. The Jet Protector JPX may be harmful if handled improperly.

This product contains 10% Oleoresin Capsicum. It is toxic when inhaled, swallowed or being in contact with skin or the eyes. The inflammatory agent irritates the eyes, respiratory tract and the skin. Avoid contact with skin and eyes. In case of contact with skin, immediately flush with water. In case of contact with eyes, flush with cold water for 15 minutes. Seek medical attention if irritation or discomfort persists after about 60 minutes. The Jet Protector JPX and its magazines must always be kept out of the reach of children and stored under lock and key.

Discharging at a attacker's eyes or face closer than 1,5 m (5 feet) may cause serious and permanent injuries. The agent Capsaicine and the alcoholic carrier substance may cause corneal injuries in rare cases which usually heal up without lasting damage.

Do not expose the unit to temperatures below -20°C (-4°F) or above 80°C (176°F). Do not press nozzle against any surface and pull the trigger. Never directly expose to extreme heat or flame. Never throw a charged magazine into the litter. Do not force any sharp object into the nozzle, as function could be compromised and active agent accidentally released. The inflammatory agent and the alcoholic carrier substance may cause irreversible stains on plastic materials, lacquered surfaces and fabrics. Do not clean the unit with aggressive solvents. Improper handling and/or insufficient maintenance may compromise both function and safety. Read and follow all instructions carefully. Do not carry or use the Jet Protector JPX until instructions are completely understood.

---

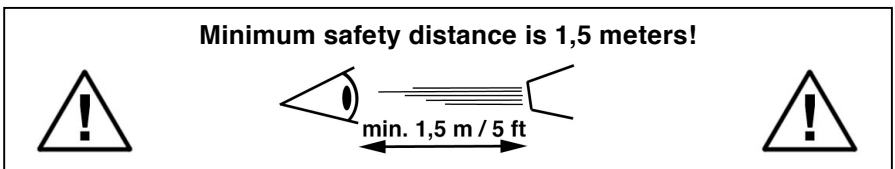
### Classification:

**USA:** The Jet Protector JPX does not constitute a firearm as defined in the Gun Control Act or in the National Firearms Act. The reloads (magazines) do not constitute ammunition as defined in the Gun Control Act.

**South Africa:** No firearm. Exempted in terms of section 5(1)(k) of the Firearm Control Act, 2000.

## BASIC RULES

- **Avoid dangerous situations.**
- **Be alert and aware of your environment at all times.**
- **Always try to escape from an assailant, if possible, before using the Jet Protector JPX.**
- **Always carry a Jet Protector JPX and understand proper operation.**
- **Always point the Jet Protector JPX in a safe direction. Never point it at anyone or anything unless intending to use.**
- **Treat every Jet Protector JPX as if it was loaded.**
- **Do not touch nozzles of spent magazines, as they may be contaminated with the inflammatory agent.**
- **Do not allow the Jet Protector JPX to be used by individuals unfamiliar with its safe operation.**
- **Keep the Jet Protector JPX under lock and key and away from children. Store the Jet Protector JPX unloaded and separately from the magazines. Safe and secure storage is your responsibility!**
- **Use only original magazines for your Jet Protector JPX as well as original equipment, which is compatible with the product and does not interfere with its safe operation.**
- **Do not point or shoot the Jet Protector JPX at the eyes from a short distance. Maintain a safety distance of at least 1,5 meters between the nozzles and the face of an assailant.**



## WARRANTY

Piexon warrants the Jet Protector JPX to be free from defects in materials and workmanship which arise prior to expiry of the warranty period of 24 months from the date of purchase. The warranty also includes the flawless operation of the unit within the warranty period as long as the safety instructions are followed. Piexon's obligation under this warranty is limited to repair or replacement of the defective unit which is returned to Piexon prior to the expiry of the 24-months warranty period. Expressly excluded from this warranty are defects caused by faulty handling, misuse or abuse. Piexon shall not be liable in all respects for damages caused by resorting to force nor for modifications made by third parties.

Any implied warranties, including those of merchantability or fitness for a particular purpose, are excluded. Under no circumstances shall Piexon be responsible for incidental or consequential damages with respect to economic loss or injury to person or property, whether as a result or breach of express or implied warranty, negligence, or otherwise. Piexon will not be responsible for the result of careless handling, unreasonable or illegal use.

This warranty gives you specific rights, and you may also have other rights which vary from country to country. Please keep the receipt of the purchase as a warranty certificate and save the address of the retailer.

Don't forget to indicate the individual serial number of your Jet Protector JPX when you claim a warranty service. The individual serial number is located underneath the product designation on the receiver. If you have questions about your Jet Protector JPX, please contact our importer in your country or Piexon directly.



## ENVIRONMENT / DISPOSAL

The Jet Protector JPX does not contain a gas propellant that is harmful to the environment. Upon reaching the expiration date, it is recommended that the owner practice by discharging the expired magazines in a safe outdoor environment before disposal, and then purchase a replacement. The magazines shall not be thrown in the litter but disposed in discharged condition at a designated depot for plastic scrap. Never throw a charged unit into the litter.

# PRODUCT OVERVIEW

*Striker*

**Receiver**

*Ambidextrous release lever for magazine*

*Lock for magazine fixture*

*Mounting rail for magazine*

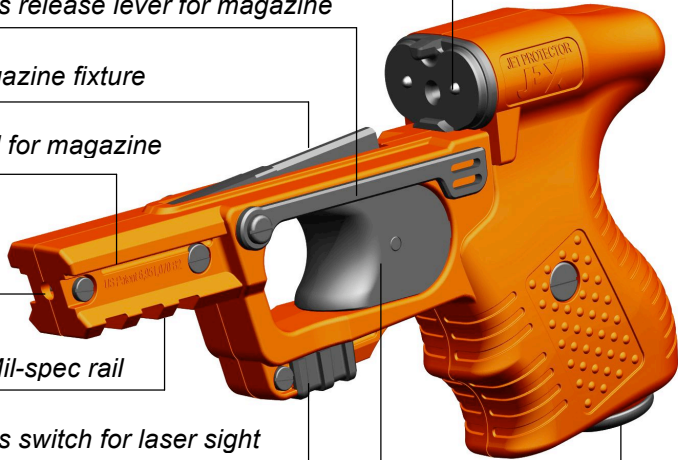
*Laser sight*

*„Picatinny“ Mil-spec rail*

*Ambidextrous switch for laser sight*

*Trigger*

*Battery compartment for laser sight*



*Open sights*

*Signature cap*

*Nozzle*

*Fixing rail*



**Magazine**

# PRODUCT DESIGN

The Jet Protector JPX system consists of two components:

## 1. RECEIVER

The receiver is the platform of the JPX and contains the mechanical trigger system. It is the re-usable component of the JPX system. It is made from reinforced polymer plastic and available in orange and black colour.

The trigger is a „double-action only“ system with an automatic switching from one striker to the other. The JPX trigger mechanism operates two strikers alternately as the canisters in the magazine are placed side by side. Thereby it doesn't matter which striker is operated first. By pulling the trigger one striker will be cocked and released to mechanically initiate the propulsion capsule of the canister. When the trigger slides back in its start position after having released the first striker the internal mechanism automatically switches over to the 2nd striker. By pulling the trigger once again the 2nd striker will be cocked and released to discharge the 2nd canister.

The receiver incorporates the following features:

1. Ergonomic pistol grip.
2. Mounting rail for attachment of the magazine.
3. Lock for fixture of the magazine.
4. Ambidextrous lever for magazine release.
5. „Picatinny“ Mil-spec rail for attachment of accessories like flashlights.
6. Integrated 635nm laser sight (optional) for target acquisition, with ambidextrous switch and battery compartment.

**WARNING: Do not strip down or modify the receiver and its integrated trigger mechanism as your warranty will turn void by doing so. In case of a malfunction return the product to the importer together with the receipt of purchase.**

**Never use other loadings for your Jet Protector JPX like projectile ammunitions and the like nor clone magazines which were not manufactured by Piexon as this may cause destruction of the device with lasting injury either on you or on bystanders.**

## 2. MAGAZINE

The magazine holds two canisters filled with a liquid inflammatory agent or with a die marker available for practice purposes. The filling volume of each canister is 10 ml. The canisters are powered by a propulsion capsule. Each magazine can be used twice, after two blasts it is disposable. The magazine is not refillable. It consists of a plastic casing around two aluminium canisters and incorporates an integrated nozzle in front of each canister to deliver an accurate liquid jet. Depending on their payload the magazines are marked with a colour coded signature cap.

Colour Code	Payload & Performance
Green:	<b>BLOWclean™</b> Practice, 6 - 7 m range. Advanced cartridge design provides blow out of the nozzle, cleaning it from solution residues. Content: blue food grade die marker, solved in water.
Orange:	<b>BLOWclean™</b> Live OC, 6 – 7 m range. Advanced cartridge design provides blow out of the nozzle, cleaning it from solution residues. Content: 10% OC (Oleoresin Capsicum) with minimum 2,0% of Capsaicinoids in entire solution, solved in benzyl alcohol.

Other inflammatory agent solutions using Nonivamid (PAVA) or pharmaceutical grade natural Capsaicin are available upon request.

The magazine incorporates the following features:

1. Patented delivery system.
2. Two aluminium canisters holding the liquid inflammatory agent.
3. Plastic casing with integrated nozzles, fixing rail and open sights.
4. Signature cap indicating the payload of the canisters.

**WARNING:** Do not try to pull out the canisters from the plastic housing. Do not modify the magazine in any way. Do not try to reload the magazine as the plastic housing is only made for one firing cycle. Never fire magazine in frozen condition. Do not puncture or incinerate.

## THE IRRITANT AGENT AND ITS EFFECTS

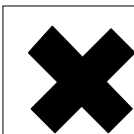
Oleoresin Capsicum (OC) is an extract of the cayenne pepper plant. OC is the most effective inflammatory agent available today, and is successfully used by law enforcement professionals around the world. OC has proven superior to both CS and CN tear gas when used against assailants under the influence of drugs or alcohol, as well as against psychotics.

The inflammatory agent fired from the Jet Protector JPX is immediately effective upon contact with the face of an aggressor. The high velocity of the liquid jet as well as the inflammatory effects of the OC agent instantly interrupt forward movement. The OC works rapidly as an inflammatory agent to the eyes, mucous membranes and respiratory system. The result is temporary blindness, coughing and nausea with extreme discomfort.

The eyes of the aggressor immediately shut, and the high velocity of the jet ensures that the agent will penetrate behind eye glasses, through cloth masks and other masks with eye openings. This temporary blindness leads to instant incapacitation and lasts for about 45-60 minutes. Symptoms will disappear, usually with no after-effects.

## FIRST AID

Remove contact lenses and contaminated clothing. Flush contaminated skin area with large amounts of cool water. In case of contact with eyes, flush with cool water for 15 minutes. Do not apply salves, creams, oil or lotions as they can trap the irritant agent against the skin and may prolong recovery. Symptoms disappear in about 60 minutes. If symptoms persist, seek immediate medical attention.



**Xi irritant R36/37/38:** Irritant to the eyes, the respiratory system and the skin. S1/2: Keep locked up and out of reach of children. S24/25: Avoid contact with skin and eyes. S26: In case of contact with eyes rinse immediately with plenty of water and seek medical advice.  
Content: 2÷3% Capsaicinoids.

## HOW TO USE THE JET PROTECTOR JPX

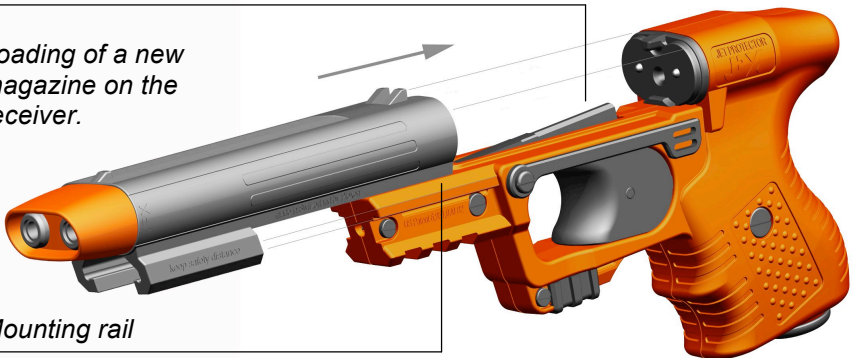
The handling of the Jet Protector JPX is similar to a handgun. The device is operated by pulling the trigger. The internal mechanism thereby cocks the striker which will be released after overcoming the trigger point. By letting back the trigger to its start position the device will automatically switch over to the 2nd striker. By pulling the trigger once again the 2nd striker will be cocked and released after overcoming the trigger point. It doesn't matter which striker is engaged first.

To load the Jet Protector JPX slide a new magazine on the mounting rail up to its stop. The magazine is securely fastened on the receiver once the lock is engaged. The Jet Protector JPX is now ready to fire. After having discharged the two canisters incorporated in the magazine, same will be spent and needs to be replaced. The spent magazine cannot be reloaded, it is disposable after use.

*Lock for magazine fixture*

*Loading of a new magazine on the receiver.*

*Mounting rail*

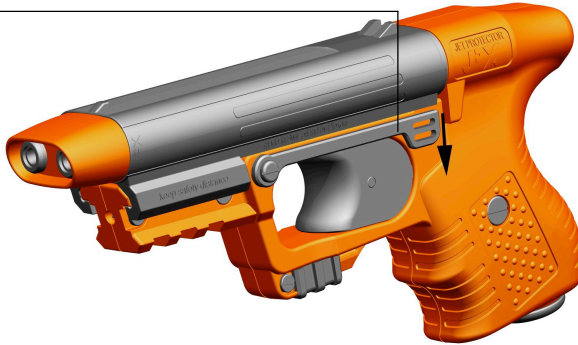


**WARNING:** Discharging at a person's eyes or face closer than 1,5 meters away may cause serious and permanent injuries. Always keep the muzzle of the loaded device pointed away from your body in a safe direction. Do not touch the nozzles of a spent magazine, as they may be contaminated with the irritant agent.

**Do not strip down or modify the receiver and its integrated trigger mechanism as your warranty will turn void by doing so.**

To remove a spent magazine pull the ambidextrous release lever downwards to disengage the lock. Slide back the spent magazine from the mounting rail and let off the release lever. The Jet Protector JPX can now be loaded with a new magazine.

#### *Ambidextrous release lever*



## **AIMING AND EFFECTIVE RANGE**

Aim at the face of the target as the inflammatory agent only takes effect over the mucous membranes (mouth, nose, eyes). To ease aiming the Jet Protector JPX is equipped with open sights. As an option an integrated 650nm laser sight for target acquisition is available.



The maximum range of the Jet Protector JPX is 6 to 7 meters.

The optimum range to use the Jet Protector JPX is between 2 and 5 meters.

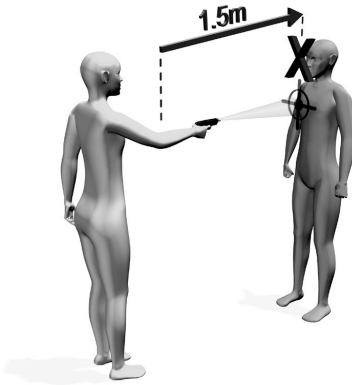
The minimum range (safety distance) to discharge the unit on a target is 1,5 meters.

The diameter of the hit pattern at a distance of 5 m is approximately 0,3 m.

#### *Hit pattern*

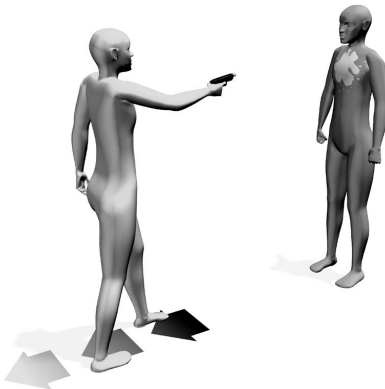
# INSTRUCTION FOR SAFE USE

The minimum safety distance is 1.5 meters (5 feet). What to do if you are already too close?



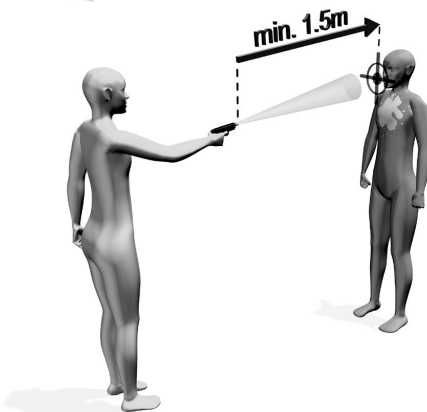
Picture 1

If you are not sure if the safety distance (measured between the nozzle of the JPX and the assailant) is kept, you are not allowed to shoot in the assailant's face. Aim at the upper chest and release the first charge.



Picture 2

If the assailant is hit, use the moment of surprise to make three or four steps back to get beyond the safety distance.



Picture 3

Once you are beyond the safety distance release the second charge fair in the assailant's face. Get out of the danger zone and call for help.

## OPTIONAL INTEGRAL LASER SIGHT

In addition to the open sights the Jet Protector JPX provides a 635nm laser sight as an option to improve accuracy. When aiming with the laser sight, avoid to point the red laser dot directly into the target's eyes, aim at the chin. The laser is operated with an ambidextrous switch located underneath the trigger guard. The laser is powered by three LR44 cells. To replace the LR44 cells open the battery compartment with a coin. The laser sight system including the laser module, the switch and the battery compartment is water proof.

**CAUTION: Laser Radiation.**  
**Do not stare into beam.**  
**Class II laser product.**



*Laser beam outlet*

*Ambidextrous laser switch*

Battery compartment

## Accessory

As an accessory Piixon offers different holster models for the Jet Protector JPX. Contact your dealer or importer for more information about this. The design of the holsters also allows to carry the JPX receiver without a loaded magazine. Different accessory such as flash lights, audio/video recording devices can be mounted on the integrated Picatinny rail of the Jet Protector JPX. Some of those accessory may only be available for law enforcement.



## MAINTENANCE

---

The Jet Protector JPX doesn't require a particular maintenance. In case the receiver is dirty use a damp cloth to clean the pastic surface. Dry a wet device with a dry cloth. Do not open the receiver to maintain the internal mechanism. In case of a malfunction return the product to the importer together with the receipt of purchase.

## SPECIFICATIONS

---

Dimensions:	Length:	190 mm
	Height:	90 mm
	Width:	37 mm
<hr/>		
Weight:	Receiver:	250 g (standard) 270 g (with integrated laser)
	Magazine:	135 g
<hr/>		
Minimum / Maximum Range:	1,5 m to 7 m	
<hr/>		
Operation Mode:	Double-action with automatic switchover	
<hr/>		
Content:	2 charges per magazine, 10 ml of irritant agent per charge	
<hr/>		
Velocity of Jet (V1):	175 m/s / 630 km/h	
<hr/>		
Temperature range:	-20°C to 60°C	
<hr/>		
Warranty:	2 years	
<hr/>		
Housing:	High impact polymer. Colour: black, orange and yellow	
<hr/>		
Sights:	Open sights, integrated laser sight (optional)	
<hr/>		
Feature:	„Picatinny“ Mil-spec rail	
<hr/>		

## IMPORTANT INFORMATION

---

**PLEASE READ INSTRUCTIONS AND WARNINGS CAREFULLY. MAKE SURE THEY ARE UNDERSTOOD BEFORE CARRYING, STORING OR USING THE JET PROTECTOR JPX.**

It may be against the law to possess or own a Jet Protector JPX in some countries. Check with the local police authority should you have any questions.

It is prohibited to carry this product in the cabin of a passenger aircraft. Check with the airline you're travelling with if transportation of the unit in the checked-in luggage is allowed. Use for any purpose except lawful self defense may be a crime punishable by imprisonment, fines or both. Avoid use where the inflammatory agent may harm children or persons with respiratory disorders.

This instruction and safety manual should always accompany this Jet Protector JPX and be transferred with it upon change of ownership or when the Jet Protector JPX is loaned or presented to another person. If you have lost this instruction and safety manual, please contact us. We will provide you with a new one.

Piexon Ltd., January 2010

WINNER OF THE  **SWISS  
TECHNOLOGY®  
AWARD**



**PIEXON Ltd.**

Buetzbergstrasse 1, 4912 Aarwangen, Switzerland

Phone: +41 62 919 91 00, Fax: +41 62 919 91 01

Email: [postmaster@piexon.com](mailto:postmaster@piexon.com), Web: [www.piexon.com](http://www.piexon.com)

US Pat Nr.: 6,951,070 B2, EU Pat Nr.: 1 285 217, RU Pat Nr.: 2269082, ZA Pat Nr.: 2002/9603, ROC Pat Nr.: ZL 01 813 266.9. Guardian Angel®, Jet Protector® and Piexon® are registered trademarks of Piexon Ltd. Model deposited. Any violation of the intellectual properties will be prosecuted. Subject to changes. All rights reserved. Copyright Piexon Ltd 2007-2010.